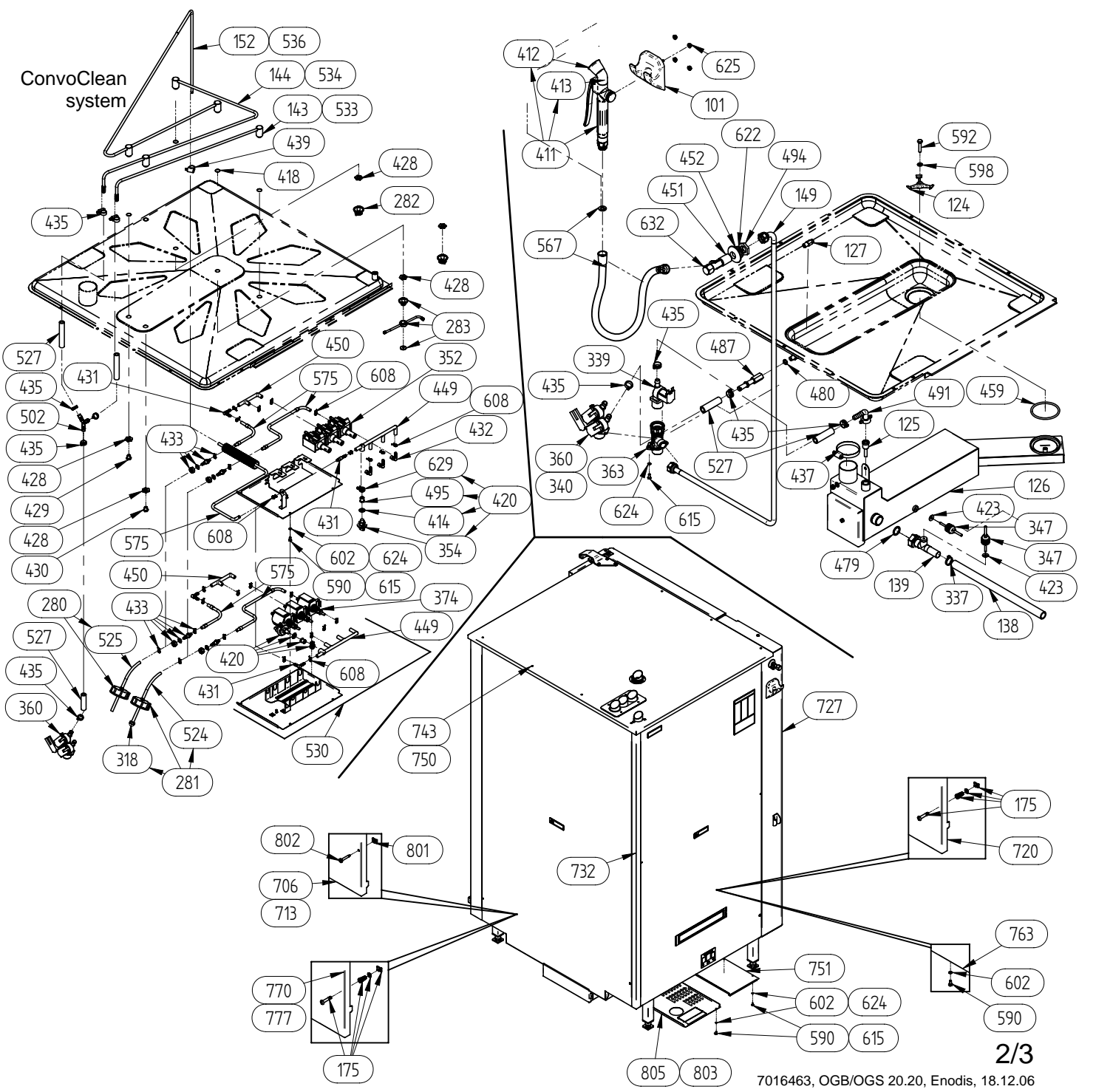
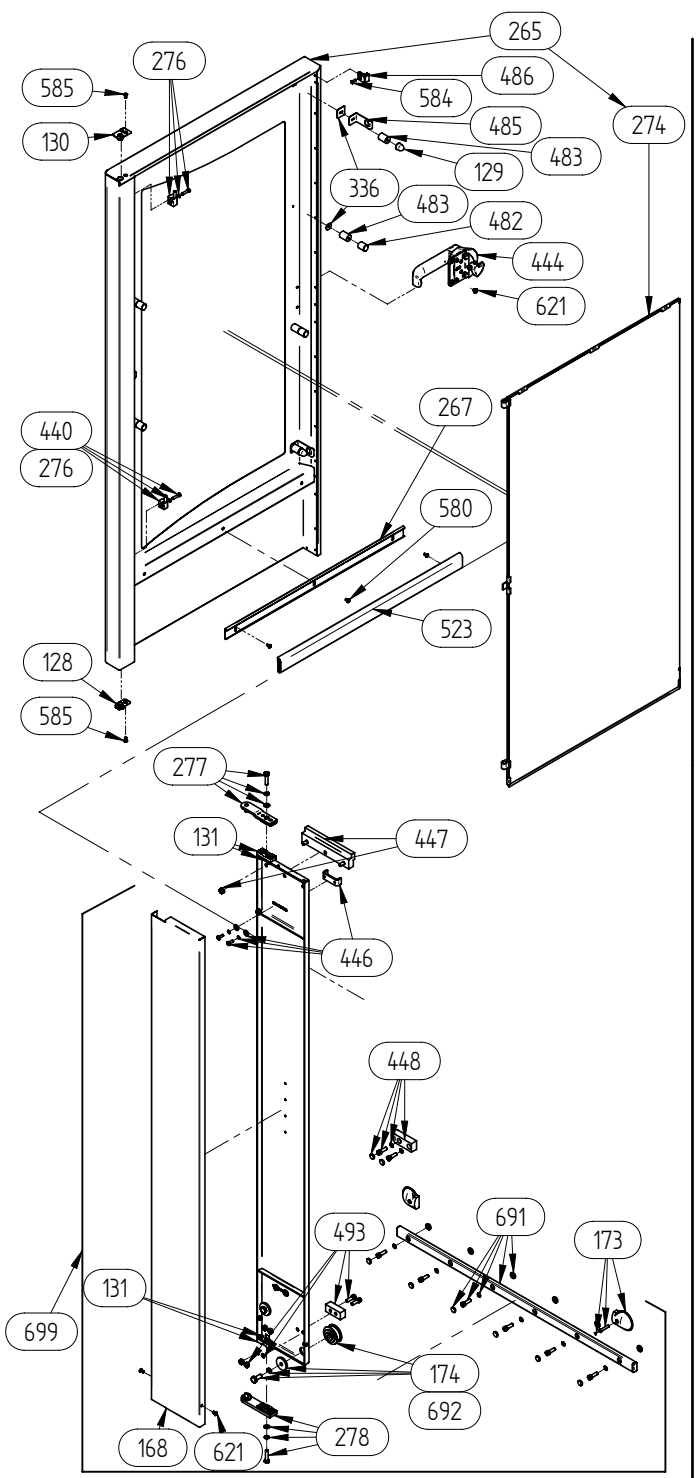
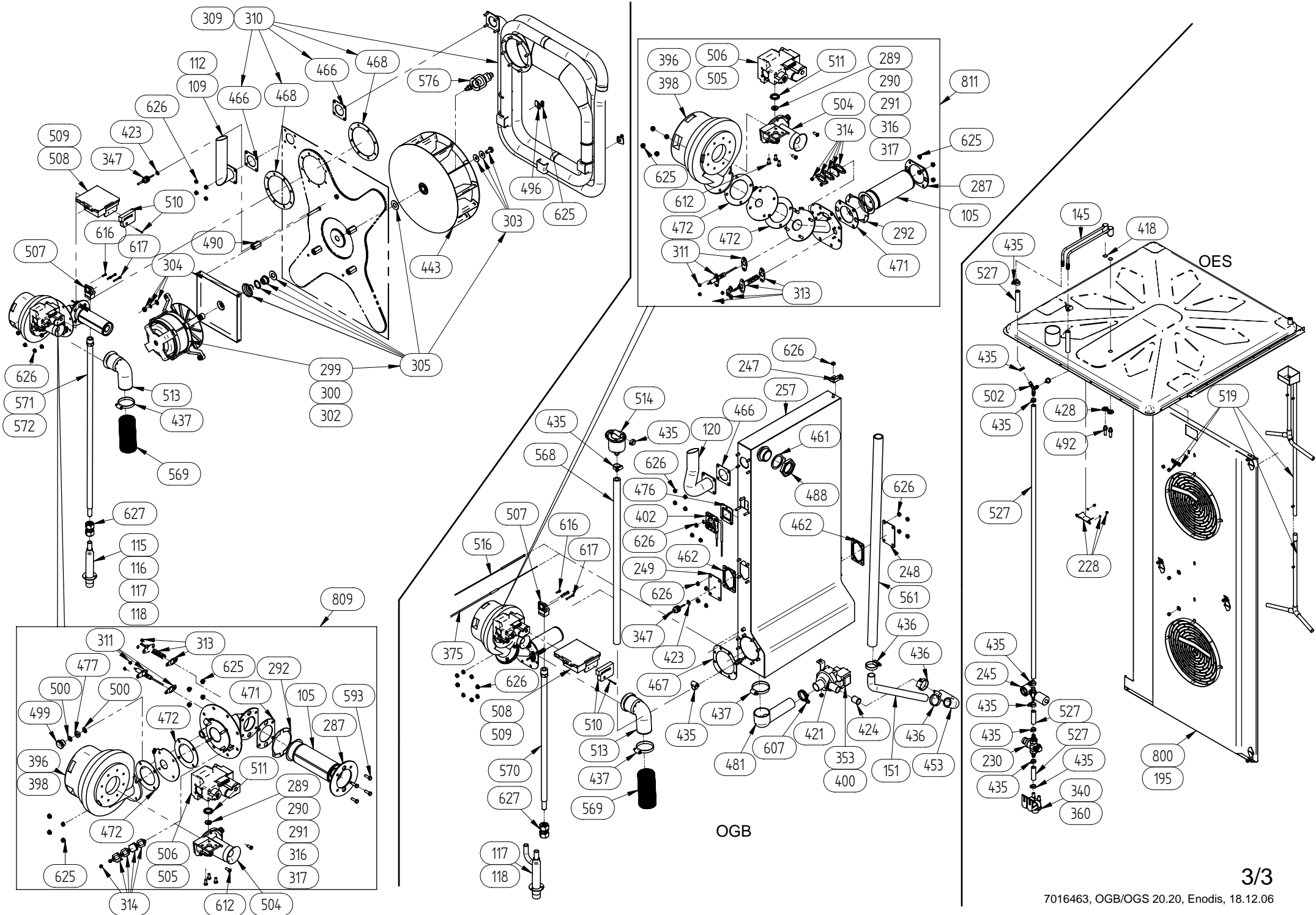


OGB/OGS 20.20

Technische Neuentwicklungen, Änderungen und Irrtümer vorbehalten.
 New technical developments, changes and errors excepted.
 Sous réserve de modifications techniques, de nouveaux développements et d'erreurs.
 Nos reservamos el derecho de nuevos desarrollos técnicos, modificaciones y errores.





| Pos | Art.-Nr | --> | --> | deutsch | english |
|-----|---------|-----------|-----|--|--|
| 101 | 2002042 | | | Aufhängung f. Handbrause | Holder for hand shower P1 P2 P3 |
| 102 | 2004035 | | | Halterung f. Kabel KTM-Fühler P2 P3 | Mount for cable, core temperature sensor probe P2 P3 |
| 103 | 2004234 | | | Einfahrkeil für Beschickungswagen P3 | Slide-in retainer key for loading cart P3 |
| 105 | 2010015 | | | Brenner Ø63x210 40kW P3 | Burner Ø63x210 40kW P3 |
| 109 | 2010058 | | | Kamin HL 10.20GAS geschw. P3 | Chimney HL 10.20 GAS welded P3 |
| 112 | 2010063 | | | Kamin HL 20.20GAS geschw. P3 | Flue HL 20.20GAS welded P3 |
| 115 | 2010067 | | | Doppelgasanschluß R3/4" P3 | Double gas connector R 3/4" P3 |
| 116 | 2010068 | | | Doppelgasanschluß R3/4"-14 NPT P3 | Double gas connector R 3/4"-14 NPT P3 |
| 117 | 2010069 | | | Dreifachgasanschluß R3/4"-14 NPT P3 | Triple gas connection R 3/4"-14 NPT P3 |
| 118 | 2010070 | | | Dreifachgasanschluß R3/4" P3 | Triple gas connection R 3/4" P3 |
| 120 | 2010076 | | | Kamin DE Gas 20.10/20.20 geschw. P3 | Chimney DE Gas 20.10/20.20 welded P3 |
| 124 | 2012102 | | | Halter Kondensator P3 | Bracket, condenser P3 |
| 125 | 2012103 | | | Einsatzdüse Kondensator P3 | Nozzle, condenser P3 |
| 126 | 2012110 | | | Kondensator Standgerät m Überlauf links kpl. P3 | Condenser, floor model with overflow on left complete P3 |
| 127 | 2013002 | | | Vollkegeldüse 45° 1/8" P3 | Full cone nozzle 45° 1/8" P3 |
| 128 | 2014003 | | | Rastplatte Oberteil Tür P3 | Retaining plate, upper part, door P3 |
| 129 | 2014005 | | | Silikonfeder Tür P3 | Silicon spring door P3 |
| 130 | 2014007 | | | Scharnierplatte Unterteil kpl. P3 | Lower hinge plate cpl. door P3 |
| 131 | 2619152 | | | KD-Set Rasterklotz Schlitzenplatte P3 | Customer service set retaining block, sliding plate P3 |
| 133 | 2614750 | | | Führungsbügel Standgeräte VST P2 | Guide clip VST floor models, P3 |
| 138 | 2016006 | | | Bypass P3 kpl. 20.20 | Bypass P3 cpl. 20.20 |
| 139 | 2016007 | | | Meßrohr P3 | Measurement pipe P3 |
| 143 | 2016021 | 12/06 | | Rohrleitung-2 Wasser X.20 geschw. P3 | Pipeline 2 water X.20 welded P3 |
| 143 | 2016021 | 12/06 | | Rohrleitung-2 Wasser X.20 geschw. P3 | Pipeline 2 water X.20 welded P3 |
| 144 | 2016022 | 12/06 | | Rohrleitung-1 Wasser X.20 geschw. P3 | Pipeline 1 water X.20 welded P3 |
| 144 | 2016022 | 12/06 | | Rohrleitung-1 Wasser X.20 geschw. P3 | Pipeline 1 water X.20 welded P3 |
| 145 | 2016072 | 12/06 | | Rohrleitung-1 Wasser X.20 geschw. P3 | Pipeline 1 water X.20 welded P3 |
| 145 | 2016072 | | | Rohrleitung IN X.20 geschw P3 | Pipeline IN X.20 welded P3 |
| 149 | 2016113 | | | Rohrleitung Handbrause 20.10/20.20 P3 | Pipeline handshower 20.10/20.20 P3 |
| 151 | 2016119 | | | Ablaufrohr DE Gas OGB P3 | Drain pipe DE Gas OGB P3 |
| 152 | 2016121 | 12/06 | | Rohrleitung Reinger Decke 20.20 geschw. P3 | Pipeline cleaner cover 20.20 welded P3 |
| 152 | 2016121 | 12/06 | | Rohrleitung Reinger Decke 20.20 geschw. P3 | Pipeline cleaner cover 20.20 welded P3 |
| 160 | 2019001 | | | Transportsicherung B-Wagen 20.10/20.20 P3 | Transport locking device for B-trolley 20.10/20.20 P3 |
| 162 | 2019012 | | | Schiebegriff f. TB-Wagen 12.20/20.20 P3 | Sliding handle for TB-trolley 12.20/20.20 P3 |
| 163 | 2114799 | | | Trägerblech KM geschw P3 | Support KM welded P3 |
| 168 | 2114819 | | | Verkleidungsblech VST 20.10/20.20 P3 | Cover panel VST 20.10/20.20 P3 |
| 169 | 2115476 | | | Einfahrtschiene re 12.20/20.20 geschw P3 | Retracting rails on right 12.20/20.20 welded P3 |
| 170 | 2115477 | | | Einfahrtschiene li 12.20/20.20 geschw P3 | Retracting rails on left 12.20/20.20 welded P3 |
| 173 | 2117280 | | | KD-Set Anschlagpuffer VST P3 | Customer service set for stop buffer VST P3 |
| 174 | 2117291 | | | KD-Set Führungsrolle VST V-Form P3 | Customer service set for guide roller VST P3 |
| 175 | 2117299 | | | KD-Set Verschluss Abdeckung P3 | Customer service set for cover seal P3 |
| 176 | 2117300 | | | KD-Set Frontplatte OEB/OGB P3 | Customer service set for front plate OEB/OGB P3 |
| 177 | 2117301 | | | KD-Set Frontplatte OES/OGS P3 | Customer service set for front plate OES/OGS P3 |
| 178 | 2117302 | | | KD-Set Frontplatte OES/OGS Press & Go P3 | Customer service set for front plate OES/OGS Press & Go P3 |
| 188 | 2214147 | GB7CC0420 | | Ansaugblech DE 20.20 kpl P3 | Suction panel steam generator 20.20 complete P3 |
| 195 | 2214157 | GS7BL0641 | | Ansaugblech IN 20.20 kpl P3 | Suction panel IN 20.20 cpl P3 |
| 214 | 2216796 | | | Abdeckung Entfeuchtungsrinne kpl P3 | Cover dehumidification channel cpl P3 |
| 228 | 2217279 | | | KD-Set Abschirmblech Garraumfühler 10.20/12.20/20.20 IN P3 | Service set screen plate f oven chamber sensor 10/12/20.20 I |
| 229 | 2217281 | | | KD-Set Bypass-Abdeckung P3 | Customer service set for bypass cover P3 |
| 230 | 2217288 | | | KD-Set Druckregulierungsventil IN P3 | Customer service set for pressure regulating valve IN P3 |
| 233 | 6002100 | | | Schnellverschluss-Ansaugblech | replacement quick fastener for suction panel |
| 245 | 2217335 | | | KD-Set Einspritzdüse 1,0 mm P3 | Customer service set for fuel injection nozzle 1.0 mm P3 |
| 247 | 2314244 | | | DE EL/GAS Aufhängung 20.10, 20.20 P3 | Steam generator EL/GAS suspension 20.10, 20.20 P3 |
| 248 | 2314968 | | | Inspektionsflansch DE P3 | Inspection flange DE P3 |
| 249 | 2314974 | | | Inspektionsflansch DE mit Gewinde P3 | Inspection flange DE with thread P3 |
| 257 | 2317313 | | | KD-Set DE GAS 10.20/20.10/20.20 P3 | Customer service set DE GAS 10.20/20.10/20.20 P3 |
| 265 | 2514356 | | | Tür 20.20 kpl P3 | Door 20.20 complete P3 |
| 267 | 2514385 | | | U-Profil f Dichtung Tür 12.20/20.20 P3 | U-profile for seal, door 12.20/20.20 P3 |
| 274 | 2514394 | | | Innentür 20.20 kpl P3 | Inner door, 20.20 complete P3 |
| 276 | 2517292 | | | KD-Set Innentürscharnier P3 | Customer service set for interior door hinge P3 |
| 277 | 2517296 | | | KD-Set Scharnier ob P3 | Customer service set for upper hinge P3 |
| 278 | 2517297 | | | KD-Set Scharnier unt P3 | Customer service set for lower hinge P3 |
| 279 | 2608962 | | | Unterdrucksicherung kpl | Suction relief device complete P2 P3 |
| 280 | 2609347 | | | Kanister-Saugschlauch Reiniger kpl | Suction tube for detergent |
| 281 | 2609349 | | | Kanister-Saugschlauch Düsenspülung kpl | Suction tube for flushing agent |
| 282 | 2611010 | | | Sprinklerdüse geschweißt | Sprinkler head welded |
| 283 | 2611184 | | | Rotordüse kpl | Rotor nozzle complete |
| 287 | 2614843 | | | Klemmflansch Brenner HL/DE Ø63 P3 | Clamping flange burner HL/steam generator Ø 63 P3 |
| 289 | 2615311 | | | KD-Umrüstset auf Erdgas LL/G25 P3 | KD-conversion set Natural gas LL/G25 P3 |
| 290 | 2615312 | | | KD-Umrüstset auf Erdgas E/G20 P3 | KD conversion set to natural gas E/G20 P3 |
| 291 | 2615313 | | | KD-Umrüstset auf Butan-Propan /G30-G31 P3 | KD-conversion set to Butane-Propane /G30-G31 P3 |
| 292 | 2615366 | | | Ausgleichsflansch Brenner Ø63 | Compensation flange for burner Ø63 |
| 299 | 2617284 | | | KD-Set Drehstrommotor 4/8pol 0,9kW 200-240V 60Hz/200V 50Hz P | Customer service set for 3-phase motor 4/8-pin 0.9kW 200-240 |
| 300 | 2617285 | | | KD-Set Drehstrommotor 4/8pol 0,9kW 380-415V 50Hz P3 | Customer service set for 3-phase motor 4/8-pin 0.9kW 380-415 |
| 302 | 2617287 | | | KD-Set Drehstrommotor 4pol 0,9kW alle Spannungen P3 | Customer service set for 3-phase motor 4-pin 0.9kW all volta |
| 303 | 2617293 | | | KD-Set Lüfterradbefestigung P3 | Customer service set for fan wheel mounting P3 |
| 304 | 2617294 | | | KD-Set Motorbefestigung P3 | Customer service set for motor mounting P3 |
| 305 | 2617295 | | | KD-Set Motorwellendichtung P3 | Customer service set for motor shaft seal P3 |
| 309 | 2617318 | | | KD-Set Wärmetauscher GAS 10.20/12.20/20.20 P3 | Customer service set for heat exchanger GAS 10.20/12.20/20.2 |
| 310 | 2617319 | | | KD-Set Wärmetauscher GAS 20.20 unt P3 | Customer service set for heat exchanger GAS 20.20 lower P3 |
| 311 | 2617320 | | | KD-Set Überwachungselektrode GAS P3 | Customer service set for monitoring electrode GAS P3 |
| 313 | 2617322 | | | KD-Set Glühzünderlektrode lang GAS P3 | Customer service set for glowing ignition electrode, long GA |
| 314 | 2617323 | | | KD-Set Schauglas Brenner GAS P3 | Customer service set for burner sight glass GAS P3 |
| 315 | 2216090 | | | Abdeckung Zuluftkasten mont P3 | Cover, air inlet box assembled P3 |
| 316 | 2615314 | | | KD-Umrüstset auf Erdgas 13A Japan P3 | Customer service conversion set natural gas 13A Japan P3 |
| 317 | 2615315 | | | KD-Umrüstset auf LPGP Japan P3 | Customer service conversion set LPGP Japan P3 |
| 318 | 3007061 | | | Schmutzsieb für Convocare | Filter for Convocare |
| 319 | 3310394 | | | Griff für Beschickungswagen elektropoliert | Grip for loading cart electropolished |
| 328 | 3315259 | | | Sammelwanne Hordenwagen elektropoliert 12.20/20.20 P3 | Collector tray for tray trolley electro-polished 12.20/20.20 |
| 335 | 3416730 | | | Wasserinstallationsset P3 | Water installation set P3 |
| 336 | 3417275 | | | Nachstellset Türdichtung P3 | Kit for adjusting door gasket P3 |
| 337 | 4007087 | | | Kabelbinder 140 x 3,6; hitzebeständig bis 220°C | Cable tie 140 x 3,6 heat resistant to 220°C |
| 338 | 5001041 | | | Sicherheits-Temperaturbegrenzer eigenbruchsicher 340°C | Safety temperature limiter, internal breakage-proof |
| 339 | 5001059 | | | Einfachmagnetventil 220/240V 50/60 Hz | Solenoid valve 220/240 V ODgas |
| 340 | 5001080 | | | Doppelmagnetventil 220-240V 50/60Hz | Double solenoid valve 220 - 240V 50Hz |
| 341 | 5002061 | | | KD-SET KTM-Dichtungssatz | Customer service seal set for CTS |
| 342 | 2219137 | | | KD-Set KTM-Fühler Sous-Vide P3 | Customer service set CTS probe "sous vide" P3 |
| 343 | 5002090 | | | Stecker X1 OSC, OSG, OSP P2 | Plug X1 OSC, OSG, OSP P2 P3 |
| 344 | 5002094 | | | Stecker X2 OSC, OSG, OSP P2 P3 | Plug X2 OSC, OSG, OSP P2 P3 |
| 345 | 5002095 | | | Stecker X3 OSC, OSG, OSP ST 5000 RM 3.5 9pol. P2 | Terminal block X3 OSC, OSG, OSP ST 5000 RM 3.5 9pol. P2 |
| 346 | 5002096 | | | Stecker X11, X12 Picto "Press and Go" P2 P3 | Plug Picto "Press and Go" P2 P3 |
| 347 | 5002100 | | | Thermoelementfühler 3050 mm P2 P3 | Thermocouple probe 3050 mm P2 P3 |
| 349 | 5003075 | | | Türkontaktschalter berührungslos:28,57x19,05x6,35,2Langlöch. | Door magnet switch |
| 352 | 5008011 | | | Pumpe für Garraumreinigung 200-240V P2 P3 | Pump for auto cleaning 200-240V P2 P3 |
| 353 | 5008079 | | | Entleerungspumpe mit Synchronmotor 200-240V | Drain pump with synchronous motor 200-2 |
| 354 | 5013051 | | | Druckschalter für automatische Garraumreinigung P2 P3 | Pressure switch for auto. oven cleaning P2 P3 |
| 355 | 5009301 | | | Steuerung 5000 VM (Versorgungsmodul) P2 P3 | Controller, 5000 supply module P2 P3 |
| 356 | 5009304 | | | Verbindungskabel SM auf BM Steuerung 5000 P2 P3 | Connection cable SM to BM electronic board 5000 P2 P3 |

| Pos | Art.-Nr | --> | --> | deutsch | english |
|-----|---------|-----|-----|--|---|
| 357 | 5009306 | | | Tasterkappe 8,7 mm weiß P2 P3 | Cap for key 8,7 mm white electronic P2 P3 |
| 358 | 5009315 | | | Anschlußkabel RS232 für P2 P3 | Connection cable RS232 for P2 P3 |
| 359 | 5009320 | | | Einstellwippe komplett P2 P3 | Adjusting rocker complete P2 P3 |
| 360 | 5011000 | | | Dreifachmagnetventil 220-240V 50/60 Hz 180° P3 | Solenoid valve triple 220-240V 50/60 Hz 180° P3 |
| 361 | 5011001 | | | Dreifachmagnetventil 110V 50/60Hz 180° P3 | Solenoid valve triple 110V 50/60Hz 180° P3 |
| 362 | 5011002 | | | Wasserverteiler DN 13 P3 | Water distributor DN 13 P3 |
| 363 | 5011003 | | | T-Verbindungsstück WA 2x3/4" 1x1/2" P3 | T-joining piece WA 2x3/4" 1x1/2" P3 |
| 364 | 5012000 | | | Stecker direkt 6pol. RM 5 mm P3 | Plug direct 6pol. RM 5mm P3 |
| 365 | 5012001 | | | Stecker direkt 7pol. RM 5 mm P3 | Plug direct 7pol. RM 5 mm P3 |
| 366 | 5012002 | | | Stecker direkt 8pol. RM 5 mm P3 | Plug direct 8pol. RM 5 mm P3 |
| 367 | 5012003 | | | Stecker direkt 12pol. RM 3,5 mm P3 | Plug, direct, 12-pin RM 3.5 mm P3 ZEC 1 |
| 368 | 5012004 | | | Stecker direkt 10pol. RM 3,5 mm P3 | Plug, direct, 10-pin RM 3.5 mm P3 ZEC 1 |
| 369 | 5012005 | | | Stecker direkt 8pol. RM 3,5 mm P3 | Plug direct 8pol. RM 3,5 mm P3 |
| 370 | 5013001 | | | Kerntemperatur-Meßfühler Mehrpunkt kpl. P3 | CTS, multipoint complete P3 |
| 372 | 5015002 | | | Glas für Garraumleuchte P3 | Glass for cooking space lamp P3 |
| 373 | 5015003 | | | Rahmen für Garraumleuchte P3 | Rahmen für Garraumleuchte P3 |
| 374 | 5018028 | | | Schwingkolbenpumpe MOD CP6 230V P3 | Piston pump MOD CP6 230V P3 |
| 375 | 5018003 | | | Übertemperaturfühler NiCr-Ni Gas DE P3 | Excess temperature probe NiCr-Ni Gas DE P3 |
| 396 | 5018001 | | | Brennergebläse RG148 230V P3 | Burner fan RG148 230V P3 |
| 398 | 5018007 | | | Brennergebläse RG148 110V P3 | Burner fan RG148 110V P3 |
| 399 | 5018010 | | | Pumpe für Garraumreinigung 110/120V P3 | Pump for auto cleaning 110/120V P3 |
| 400 | 5018017 | | | Entleerungspumpe mit Synchronmotor 110-120V P3 | Drain pump with synchronous motor 110-1 |
| 401 | 5018023 | | | Zusatzlüfter Sunon KD1212 PMBX-6A IP 54/55 P3 | Additional fan Sunon KD1212 PMBX-6A IP 54/55 P3 |
| 402 | 5019000 | | | Doppelniveausonde P3 kpl | Double-level probe P3 complete |
| 403 | 5019100 | | | Steuerung 5010 Steuermodul SM P3 | Controller, 5010 control module P3 |
| 404 | 5019101 | | | Steuerung 5010 Bedienmodul BM P3 | Controller, 5010 operating module P3 |
| 405 | 5019103 | | | Steuerung 5010 Gasmodul GM P3 | Electronic board 5010 GM (Gas module) P3 |
| 406 | 5019104 | | | Steuerung 5010 Kommunikationsmodul KM P3 | Electronic board 5010 KM (Communication module) P3 |
| 407 | 5019105 | | | Steuerung 5010 Press and Go-Modul P3 | Controller, 5010 Press and Go-Modul P3 |
| 408 | 2617348 | | | KD-Set Fußbefestigung Standgeräte P3 | Customer service set, foot mounting floor models P3 |
| 411 | 6005005 | | | Handbrause 1/2" Außengewinde | Hand shower 1/2" outside thread |
| 412 | 6005006 | | | Brausekopf 3/8" | Shower head 3/8" |
| 413 | 6005007 | | | Winkel für Handbrause | Bracket for hand shower |
| 414 | 6005016 | | | Flachdichtung 10x19x2 mm Novapress 800F ODC | Flat seal 10x19x2mm ODC P2 P3 |
| 416 | 6005048 | | | Membrantülle Ø 60 (DG 48) Polychloropren-Kautschuk, Stanz-o60 | Membrane grommet DG 48 Ø 60mm |
| 418 | 6005055 | | | Dichtring 14,5x20x2, best. geg.\N. Wasser, Dampf, Gas; -55+300°C | Sealing ring 14x20 copper nickel plated for heating element |
| 419 | 6005068 | | | O-Ring 42,5x5,33mm, Silikon Gummi | O-ring 42,5x5,33mm |
| 420 | 2619149 | | | KD-Set Druckschalter REI P3 | Customer service set, pressure switch REI P3 |
| 421 | 6005236 | | | O-Ring 53x3 f. Dampferzeuger Entleerungspumpe P2 | O-Ring 53x3 for steam generator emptying pump P2 |
| 422 | 6005254 | | | Rändelmutter M3 P2 | Knurled nut M3 P2 P3 |
| 423 | 6005260 | | | Thermoelementfühler-Dichtung P2 P3 | Thermocouple sensor seal P2 P3 |
| 424 | 6005299 | | | Stützhülse DE-Pumpe P2 P3 | Support bushing steam generator pump P2 P3 |
| 428 | 6005409 | | | Mutter für Düsenhalterung P2 | Nut for nozzle holder P2 |
| 429 | 6005412 | | | Düse 0,7 P2 | Nozzle 0,7 P2 |
| 430 | 6005413 | | | Düse 1,5 P2 | Nozzle 1,5 P2 |
| 431 | 6005414 | | | Winkel-Schlauchverbindungsstück 6mm | Hose coupling (elbow) 6mm |
| 432 | 6005416 | | | Winkelanschlusstück 6x1/8" 90° | Angle connector 6x1/8" 90° P2 P3 |
| 433 | 2619150 | | | KD-Set Schottverschraubung P3 | Customer service set, bulkhead union P3 |
| 434 | 6005427 | | | Membrantülle Ø83 (DG60) | Membrane grommet Ø83 (DG60) |
| 435 | 6006086 | | | Schlauchbinder 1/2" 12-20mm | Hose clip 1/2" 12-20mm |
| 436 | 6006087 | | | Schlauchbinder 25-40mm | Hose clamp 25-40 mm P2/P3 |
| 437 | 6006089 | | | Schlauchbinder 40-60mm | Hose clamp 40-60 mm P2/P3 |
| 439 | 6006122 | | | Schlauchbinder 7-11mm ODgas | Hose clamp 7-11 mm OD gas P2 P3 |
| 440 | 2519151 | | | KD-Set Innentürscharnier AS P3 | Customer service set for interior door hinge P3 |
| 443 | 6010003 | | | Ventilatorrad Ø 450x150 P3 | Fan wheel Ø 450x150 P3 |
| 444 | 6012000 | | | Drehhebelverschluss kpl. P3 | Rotating lever lock, complete P3 |
| 445 | 6012001 | | | Kloben kpl. P3 | Block, complete P3 |
| 446 | 2619153 | | | KD-Set Türanschlag VST P3 | Customer service set, door stop VST P3 |
| 447 | 2619154 | | | KD-Set Stützeleiste VST P3 | Customer service set, support strip VST P3 |
| 448 | 2619155 | | | KD-Set Führungsleiste vnt VST P3 | Customer service set, guide strip, lower VST P3 |
| 449 | 6014000 | | | Schlauchanschluss Pumpen Druckseite P3 | Hose connection, pump pressure side P3 |
| 450 | 6014001 | | | Schlauchanschluss Pumpen Saugseite P3 | Hose connection, pump suction side P3 |
| 451 | 6014003 | | | Eckventil 1/2" x 1/2" P3 | Corner valve 1/2" x 1/2" P3 |
| 452 | 6014004 | | | Eckventil Zierblende P3 | Corner valve, ornamental cap P3 |
| 453 | 6014005 | | | Schlauchwinkel Ø24x4 90° P3 | Hose bend Ø24x4 90° P3 |
| 454 | 6014041 | | | Einschlagstellfuß 40x40 Flansch Ø 89 SCH P3 | Punch-type adjustment foot marine 40x40 flange 89 P3 |
| 455 | 6014042 | | | Einschlagstellfuß 40x40 vierkant Flansch P3 | Punch-type adjustment foot 40x40 square flange P3 |
| 456 | 6014050 | | | Lenkrolle 125x32mm P3 | Swivel castor 125x32mm P3 |
| 457 | 6014051 | | | Bockrolle 125x32mm P3 | Fixed castor 125x32mm P3 |
| 458 | 6014052 | | | Lenkrolle 125x32mm m. Kipphebel u. Totalstopp P3 | Guide roller 125x32 mm with rocker arm and total ... |
| 459 | 6015000 | | | O-Ring 67x4 P3 | O-ring 67x4 P3 |
| 460 | 6015020 | | | Dichtung Garraumleuchte P3 | Seal for oven lamp P3 |
| 461 | 6015022 | | | Flachdichtung 60x48,5x2 für Dampferzeuger P3 | Flat seal 60x48,5x2 for steam generator P3 |
| 462 | 6015023 | | | Flachdichtung für Tauchheizkörper P3 | Flat seal for immersion heating element P3 |
| 465 | 6015026 | | | Dichtung KTM-Durchführung P3 G | Seal, core temperature sensor feed-through P3 G |
| 466 | 6015027 | | | Dichtung Kamin HL 10.20/12.20/20.20 P3 | Gasket chimney 10.20/12.20/20.20 P3 |
| 467 | 6015028 | | | Dichtung Brennerkammer 6.10/6.20/10.10/20.10 P3 | Gasket burner chamber 6.10/6.20/10.10/20.10 P3 |
| 468 | 6015029 | | | Dichtung Brennerkammer 10.20/12.20/20.02 P3 | Gasket burner chamber 10.20/12.20/20.02 P3 |
| 471 | 6015033 | | | Dichtung Brenner Ø63 mm P3 | Gasket burner Ø63 mm P3 |
| 472 | 6015034 | | | Dichtung Lüfter RG128/148 P3 | Gasket fan RG128/148 P3 |
| 476 | 6015040 | | | Flachdichtung für Doppelniveausonde P3 | Flat seal for water level probe P3 |
| 477 | 6015041 | | | Dichtung Kabeldurchführung Brennereinsatz P3 | Gasket cable bushing burner insert P3 |
| 479 | 6015060 | | | Kupfer-Dichtring vernickelt 18x24x1,5 P3 | Copper seal ring nickel-plated 18x24x1,5 P3 |
| 480 | 6015062 | | | Kupfer-Dichtring 10x14 vernickelt P3 | Copper seal ring 10x14 nickel-plated P3 |
| 481 | 6015100 | | | Ablaufwinkel für Dampferzeuger P3 | Elbow for steam generator drainage P3 |
| 482 | 6015200 | | | Abstandshalter Tür P3 | Spacer for door P3 |
| 483 | 6015201 | | | Distanzbolzen Tür P3 | Distance bolt door P3 |
| 485 | 6015203 | | | Halteklammer Tür P3 Standgerät | Clip for door P3 floor unit |
| 486 | 6015204 | | | Gegenhalter Tür Standgeräte P3 | Counter bracket for door of floor models P3 |
| 487 | 6015205 | | | Schlauchanschluss Entfeuchtung P3 | Hose connection dehumidifier P3 |
| 488 | 6015207 | | | Sechskantmutter G 1 1/2" für Dampferzeuger P3 | Hexagon nut G 1 1/2" for steam generator P3 |
| 489 | 6015212 | | | Auflagegestift Ansaugblech P3 | Support pin, intake panel P3 |
| 490 | 6015213 | | | Abstandsbuchse Motor 33mm P3 | Spacer bushing, motor 33 mm P3 |
| 491 | 6015215 | | | Winkel-Schlauchanschluss 3/8" m. Dichtung P3 | Elbow hose connection 3/8" with seal |
| 492 | 6015216 | | | Düse IN P3 | Nozzle IN P3 |
| 493 | 2619156 | | | KD-Set Sicherungsklotz VST P3 | Customer service set, security block VST P3 |
| 494 | 6015227 | | | Rohrmutter G 1/2" DIN 431 A2 P3 | Hexagon inch nut G 1/2" DIN 431 A2 P3 |
| 495 | 6015229 | | | Gewindehülse Druckschalter P3 | Threaded bushing, pressure switch P3 |
| 496 | 6015230 | | | Einhängelasche Wärmetauscher P3 | Hanging bracket for heat exchanger P3 |
| 499 | 6015238 | | | Verschraubung Kabeldurchführung Brennereinsatz P3 | Screwing cable bushing burner insert P3 |
| 500 | 6015240 | | | Scheibe Kabeldurchführung Brennereinsatz P3 | Washer cable bushing burner insert P3 |
| 502 | 6015400 | | | Schlauchtülle Y-Stück 3/8" P3 | Hose coupling Y-form 3/8" P3 |
| 504 | 6016001 | | | Venturi 56kW P3 | Venturi 56kW P3 |
| 505 | 6016009 | | | Gasventil 110V P3 | Gas valve 110V P3 |
| 506 | 6016010 | | | Gasventil 230V P3 | Gas valve 230V P3 |
| 507 | 6016011 | | | Flansch Winkel 1/2" Gasventil P3 | Flange angle 1/2" gas valve P3 |
| 508 | 6016022 | | | Feuerungsautomat 230V Glühzündung P3 | Burner controller 230V auto-ignition P3 |

| Pos | Art.-Nr | --> | --> | deutsch | english |
|-----|---------|-----------|-----|---|--|
| 509 | 6016023 | | | Feuerungsautomat 110V Glühzündung P3 | Burner controller 110V auto-ignition P3 |
| 510 | 6016025 | | | Abdeckung Feuerungsautomat P3 | Cover for burner controller P3 |
| 511 | 6016030 | | | Dichtring Gasblende P3 | Sealing ring gas overlay P3 |
| 513 | 6016032 | | | Ansaugstutzen Venturi gerade P3 | Aspiration hole Venturi straight P3 |
| 514 | 6016500 | | | Rücksaugversicherung für DE kpl. P3 | Back absorption safety device for steam generator cpl. P3 |
| 515 | 6016517 | | | Tasterkappe grau Press and Go P3 | Push button cap grey Press and Go P3 |
| 516 | 5019002 | | | STB eigenbruchsicher DE Gas 135°C-10 k P3 | Safety temperature limiter, steam generator gas 135°C-10 k P3 |
| 517 | 6019020 | | | Press and Go Symbole P3 | Symbols for Press and Go P3 |
| 519 | 2218197 | | | KD-Set Einspritzverteiler Single 20.20 P3 | Customer service set, fuel injection distributor single 20.20 P3 |
| 523 | 7001077 | | | Querichtung Türe 12.20/20.20 P2 P3 | Transverse seal, doors 12.20/20.20 P2 P3 |
| 524 | 7002006 | | | PVC-Wasserschlauch ohne Einlagen Polyform 6/2 | PVC hose without lining polyform 6/2 |
| 525 | 7002002 | | | PVC-Wasserschlauch ohne Einlagen rot Polyform 6/2 | PVC hose without lining, red polyform 6/2 |
| 527 | 7002033 | | | Heisswasserschlauch 3/8" P2 P3 | Water hose for hot water 3/8" P2 P3 |
| 528 | 3417550 | | | Überlaufset P3 | Overflow set P3 |
| 530 | 2617250 | | | KD-Set Reingerpumpeneinheit 230V P3 | Customer service set, cleaner pump unit 230V P3 |
| 532 | 2618162 | | | KD-Set Dichtungssatz Brenner 30-40kW P3 | Customer service set, seal set, burner 30-40kW P3 |
| 533 | 2016162 | 12/06 | | Rohrleitung-2 Wasser X.20 ab 01/07 P3 | Pipeline 2 water X.20 from 01/07, welded P3 |
| 533 | 2016162 | 12/06 | | Rohrleitung-2 Wasser X.20 ab 01/07 P3 | Pipeline 2 water X.20 from 01/07, welded P3 |
| 534 | 2016164 | 12/06 | | Rohrleitung-1 Wasser X.20 ab 01/07 P3 | Pipeline 1 water X.20 from 01/07, welded P3 |
| 534 | 2016164 | 12/06 | | Rohrleitung-1 Wasser X.20 ab 01/07 P3 | Pipeline 1 water X.20 from 01/07, welded P3 |
| 536 | 2016168 | 12/06 | | Rohrleitung Reinger Decke 20.20 ab 01/07 P3 | Pipeline cleaner cover 20.20 from 01/07 welded P3 |
| 536 | 2016168 | 12/06 | | Rohrleitung Reinger Decke 20.20 ab 01/07 P3 | Pipeline cleaner cover 20.20 from 01/07 welded P3 |
| 544 | 7011007 | | | Türdichtung 20.20 P3 | Door gasket 20.20 P3 |
| 545 | 7011010 | | | Dichtung Frontplatte P3 | Gasket front cover P3 |
| 546 | 7012000 | | | Abluftschlauch 880 mm lg. 20.10/20.20 P3 | Air outlet hose 880 mm long 20.10/20.20 P3 |
| 550 | 7012005 | | | Abluftschlauch 620 mm lg. 20.10/20.20 DE P3 | Air outlet hose 620 mm long 20.10/20.20 DE P3 |
| 551 | 7012006 | | | Abluftschlauch 1560 mm lg. 20.10/20.20 IN P3 | Air outlet hose 1560 mm long 20.10/20.20 IN P3 |
| 561 | 7012018 | | | Kühlerschlauch für Pumpe 900 mm lang P3 | Radiator hose for pump 900 mm long P3 |
| 567 | 7012073 | | | Brauseschlauch 20.10/20.20 P3 | Shower hose 20.10/20.20 P3 |
| 568 | 7012080 | | | Heisswasserschlauch 1/2" P3 | Hose 1/2" P3 |
| 569 | 7012100 | | | Ansaugschlauch Brenner P3 | Suction hose burner P3 |
| 570 | 7012102 | | | Gasschlauch Edelstahl DN12 580lg P3 | Gas hose, stainless steel DN12 580 lg P3 |
| 571 | 7012103 | | | Gasschlauch Edelstahl DN12 780 lg P3 | Gas hose, stainless steel DN12 780 lg P3 |
| 572 | 7012104 | | | Gasschlauch Edelstahl DN12 1550lg P3 | Gas hose, stainless steel DN12 1550 lg P3 |
| 575 | 7012302 | | | EPDM-Schlauch ohne Einlage 6x2mm schwarz Pr P3 | EPDM hose, unlined 6x2 mm black |
| 576 | 7015200 | | | Abzieher für Lüfterrad P3 | Drawer for fan wheel P3 |
| 577 | 8001012 | | | Linsenschraube M3x6 DIN7986 A2 | Oval head screw M3 x 6 DIN7986 A2 |
| 578 | 8001013 | | | Linsenschraube M3x8 DIN7985 A2 | Oval head screw M3x8 A2 P2 P3 |
| 579 | 8001024 | | | Linsenschraube M4x10 DIN7985 A2 | Oval head screw M4 x 10 |
| 580 | 8001031 | | | Linsenschraube M5x10 DIN7985 A2 | Oval head screw M5x10 A2 P2 P3 |
| 581 | 8001074 | | | Innensechskantschraube M8x20 A2 DIN 912 f. Verschw.-Türe | Inner hexagon screw M8x20 |
| 582 | 8002021 | | | Linsensenkschr. M3x45 A2 DIN 964 | Cross-recessed oval head machine screw H M3 |
| 583 | 8002025 | | | Linsensenkschraube m. Kreuzschlitz M4x16 DIN966 A2 | Rounded countersunk head screw M4x16 A2 P2 P3 |
| 584 | 8002033 | | | Linsensenkschraube M5x16 DIN966 A2 | Rounded countersunk head screw M5x16 A2 P2 P3 |
| 585 | 8002043 | | | Linsensenkschraube M6x12 DIN 966 A2 P2 P3 | Rounded countersunk head screw M6x12 A2 P2 P3 |
| 588 | 8003030 | | | MLF-Schraube M5x15 A2 | MLF-screw M5x15 A2 |
| 589 | 8003032 | | | MLF-Schraube M6x20 A2 | MLF Screw M6x20 A2 |
| 590 | 8003035 | | | Sechskantschraube M5x10 A2 P2 P3 | Hexagon bolt M5x10 A2 P2 P3 |
| 591 | 8003043 | | | Sechskantschraube M6x16 DIN933 A2 | Hexagon bolt M6x16 A2 P2/P3 |
| 592 | 8003046 | | | Sechskantschraube M6x30 DIN933 A2 | Hexagon bolt M6x30 A2 P3 |
| 593 | 8003095 | | | Sechskantschraube M5x16 A2 HUD 20.20 SeaKing | Hexagon bolt M5x16 A2 HUD 20.20 |
| 594 | 8004012 | | | Sechskantmutter M3 DIN934 A2 | Hexagon nut M3 A2 P2 P3 |
| 595 | 8004057 | | | Sechskantmutter M8 DIN934 A2 | Hexagon nut M8 A4 P2/P3 |
| 596 | 8005015 | | | Scheibe 3.2 DIN9021 A2 | Washer 3.2 A2 DIN 9021 P2/P3 |
| 597 | 8005021 | | | Scheibe 4.3 DIN125 A2 | Washer 4.3 A2 DIN 125 P3 |
| 598 | 8005040 | | | Scheibe 6.4 DIN125 A2 | Washer 6.4 A2 DIN 125 P2/P3 |
| 599 | 8005041 | | | Scheibe 6.4 A2 DIN 9021 | Washer 6.4 A2 DIN 9021 P2 P3 |
| 600 | 8006011 | | | Federring B3 DIN127 A2 | Spring ring B3 A2 P2/P3 |
| 601 | 8006057 | | | Schnorr-Sicherungsscheibe S6 P2 | Schnorr lock washer S6 A2 P2/P3 |
| 602 | 8006058 | | | Schnorr-Sicherungsscheibe S5 P2/P3 | Schnorr lock washer S5 A2 P2/P3 |
| 603 | 8006059 | | | Schnorr-Sicherungsscheibe S12 A2 | Schnorr lock washer S12 A2 |
| 604 | 8006060 | | | Fächerscheibe 8.4 DIN 6798 A2 Form A außengezähnt f. V-Türe | Schnorr lock washer S8 A2 P2/P3 |
| 605 | 8009009 | | | Abdeckkappe M8 schwarz | Cap M8 black P2 P3 |
| 606 | 8009030 | | | Distanzhülse 11.3mm P2 | Spacer sleeve 11.3 mm P2/P3 |
| 607 | 8009057 | | | Drahtschelle D.36 schwarz P2/P3 | Fixing clamp D.36 black P2/P3 |
| 608 | 8009058 | | | Drahtschelle D. 10 | Fixing clamp D. 10 P2/P3 |
| 611 | 8010001 | | | Innensechskantschraube DIN EN ISO 10642 M6x35 A2 P3 | Hexagon socket screw DIN EN ISO 10642 |
| 612 | 8012001 | | | Linsenschraube Torx M5x12 P3 | Oval head screw Torx M5x12 P3 |
| 613 | 8013002 | | | Zylinderschraube DIN912 - M8 x 25 A2 P3 | Fillister head screw DIN 912 - M8x25 A2 |
| 614 | 8013003 | | | Zylinderschraube DIN 7984 - M6x70 A2 P3 | Fillister head screw like DIN 6912 - M6x70 A2 P3 |
| 615 | 8013004 | | | Sechskantschraube M4x10 A2 P3 | Hexagon screw M4x10 A2 P3 |
| 616 | 8013005 | | | Zylinderschraube mit Innensechskant DIN912 8.8VG M4x12 P3 | Fillister head screw with internal hexagon DIN 912 8.8VG M4x |
| 617 | 8013006 | | | Zylinderschraube mit Innensechskant DIN912 8.8VG M4x30 P3 | Fillister head screw with internal hexagon DIN 9 |
| 618 | 8013007 | | | Sechskantschraube DIN 933 M12x30-A2-70 P3 | Hexagon screw DIN 933 M12x30-A2-70 P3 |
| 619 | 8013050 | | | Schraube DIN603 - M8 x 35 A2 P3 | Screw DIN 603 - M8x35 A2 |
| 620 | 8014000 | | | Abstandsbolzen M3-SW 5.5 6-Kant 20mm Ni P3 | Spacer bolt M3-SW 5.5 hexagon 20 mm Ni |
| 621 | 8015000 | | | MLF-Schraube M6x8 A2 P3 | Screw MLF M6x8 A2 P3 |
| 622 | 8016000 | | | Schnorr-Sicherungsscheibe Ø20mm P3 | Conical lock washer Ø20mm P3 |
| 624 | 8016002 | | | Schnorr-Sicherungsscheibe S4 A2 P3 | Conical lock washer S4 A2 P3 |
| 625 | 8017010 | | | Sperrzahnmutter M5 A4 P3 | Toothed lock washer M5 A4 P3 |
| 626 | 8017011 | | | Sperrzahnmutter M6 A4 P3 | Toothed lock washer M6 A4 P3 |
| 627 | 8018003 | | | Klemmringverschraubung Gerade 15mm P3 | Clamping ring screwing straight 15mm P3 |
| 628 | 8019004 | | | Kappe Verschlusschraube P3 | Cap screw plug P3 |
| 629 | 8019010 | | | Drahtschelle D.16 P3 | Wire clamp D.16 P3 |
| 630 | 5001061 | | | Doppelmagnetventil DN 10 110V f. OD-Gas/USA | Dual solenoid valve 110V 180 ODGEUL |
| 631 | 2616101 | | | Einfachmagnetventil 110V 180° P3 | Single solenoid valve 110V 180 P3 |
| 632 | 6014006 | | | Drehkappe für Eckventil 1/2" x 1/2" P3 | Turncap for Corner Valve 1/2" x 1/2" P3 |
| 635 | 2618779 | | | KD-Set Glühlampe 230V/25W P3 | Customer service set, light bulb 230V/25W P3 |
| 636 | 2618780 | | | KD-Set Garraumleuchte kpl P3 | Customer service set, oven light complete P3 |
| 641 | 2618785 | | | KD-Set Befestigung Steuerung P3 | CS Set Controller attachment cP3 |
| 688 | 2619291 | | | KD-Set Glühlampe 120V/15W P3 | Customer service set, light bulb 120V/15W P3 |
| 691 | 2619140 | | | KD-Set Führungsschiene VST 30x16 X.20 P3 | Customer service set, guide rail VST 30x16 X.20 P3 |
| 692 | 2619141 | | | KD-Set Führungsrolle VST 30x16 P3 | Customer service set, guide roller VST 30x16 P3 |
| 699 | 2619148 | | | KD-Set VST 20.20 kpl P3 | Customer service set, VST 20.20 complete P3 |
| 706 | 2114747 | GS7BE0380 | | Abdeckung hi EL/GAS IN 20.20 kpl P3 | Cover, rear EL/GAS IN 20.20 complete P3 |
| 713 | 2114767 | GB7BD0209 | | Abdeckung hi GAS DE 20.20 kpl P3 | Cover, rear GAS DE 20.20 complete P3 |
| 720 | 2114787 | GS7BE0380 | | Abdeckung li 20.20 kpl P3 | Cover, left 20.20 complete P3 |
| 720 | 2114787 | GB7BD0209 | | Abdeckung li 20.20 kpl P3 | Cover, left 20.20 complete P3 |
| 727 | 2115447 | | | Frontteil 20.20 vormont P3 | Front piece 20.20 preassembled P3 |
| 732 | 2114636 | | | Eckteill hi li 20.10/20.20 P3 | Corner piece, rear left 20.10/20.20 P3 |
| 743 | 2115457 | | | Außendecke GAS IN 20.20 vormont P3 | Outer cover GAS IN 20.20 preassembled P3 |
| 750 | 2115467 | | | Außendecke GAS DE 20.20 vormont P3 | Outer cover GAS DE 20.20 preassembled P3 |
| 751 | 2114508 | | | Abdeckung Pumpenausschnitt P3 | Cover pump cutout P3 |
| 752 | 2114768 | | | Abdeckung Pumpe GAS DE hi kpl P3 | Cover, pump GAS DE rear complete P3 |
| 756 | 2117243 | | | Abdeckung Pumpe GAS DE vo 12.20/20.20 kpl P3 | Cover, pump GAS DE front 12.20/20.20 complete P3 |
| 763 | 2114717 | GS7BE0381 | | Abdeckung li gesteckt 20.20 kpl P3 | Cover, left inserted 20.20 complete P3 |
| 763 | 2114717 | GB7BD0210 | | Abdeckung li gesteckt 20.20 kpl P3 | Cover, left inserted 20.20 complete P3 |

| Pos | Art.-Nr | --> | --> | deutsch | english |
|-----|---------|------------|------------|--|--|
| 770 | 2117437 | GS7BE0381 | | Abdeckung hi gesteckt EL/GAS IN 20.20 kpl P3 | Cover, rear inserted EL/GAS IN 20.20 complete P3 |
| 777 | 2117457 | GB7BD0210 | | Abdeckung hi gesteckt GAS DE 20.20 kpl P3 | Cover, rear inserted GAS DE 20.20 complete P3 |
| 799 | 2218117 | GB7CC0421 | | Ansaugbl. RV DE 20.20 kpl P3 | Suction panel RV EL DE 12.20 kpl P12 |
| 800 | 2218120 | GS7BL0642 | | Ansaugbl. RV IN 20.20 kpl P3 | Suction panel RV EL DE 12.20 kpl P14 |
| 801 | 8009022 | | | Blechmutter 14x11 Gewinde 4.8 | Plate nut 14x11 screw 4.8 |
| 802 | 8012003 | | | Linsen-Blechschrabe 4,8x32 DIN7981 A2 P3 | Pan-headed tapping screw 4.8x32 DIN7981 A2 P3 |
| 803 | 2114627 | | app. 01/07 | Bodenklappe Kondensator P3 | Bottom flap, condenser P3 |
| 805 | 2119228 | app. 01/07 | | Bodenklappe Kondensator m Uberlauf links P3 | Bottom flap, condenser with overflow left P3 |
| 809 | 2618815 | | | KD-Set Gebläsebrenner HL 10.20/12.20/20.20 kpl P3 | CS Set Burner HL 10.20/12.20/20.20 complete P3 |
| 811 | 2618817 | | | KD-Set Gebläsebrenner DE 10.20/12.20/20.20 kpl P3 | CS Set Burner DE 10.20/12.20/20.20 complete P3 |
| 902 | 3007029 | | | Convocare Leerkanister 10 L | Convocare empty canister 10 L |
| 903 | 6009016 | | | Kunststoffbuchstabe "C" rot, 90x62x2mm,ABS-orange"PH-AT 337" | Plastic letter "C", red (Red C) P2 |
| 904 | 6019104 | | | Aufkleber: Wasserqualität und Anschluss P3 | Sticker: Water quality and connection, P3 |
| 905 | 6019106 | | | Aufkleber: Gasdaten P3 | Sticker: Gas data, P3 |
| 906 | 6019107 | | | Aufkleber: manuelle Reinigung P3 | Sticker: Manual Cleaning, P3 |
| 907 | 7002024 | | | Fettablaufschlauch 1" für Hähnchen-Ausführung | Grease drain hose 1" for chicken version |
| 908 | 7003066 | | | Dichtungsband 9x3 EPDM | Sealing tape 9x3 EPDM P2 P3 |
| 909 | 7003087 | | | Fettkartusche 400gr. V-T}re OD | Grease cartridge 400 gr. front doors OD P2 P3 |
| 910 | 7004012 | | | Sicherungsmittel Loctite Typ 243e | Loctite 243 10ml P3 |
| 911 | 7004013 | | | Schraubensicherungslack | Screw lock varnish P2 P3 |
| 912 | 7004020 | | | Silikonkleber E 43 | Silicon adhesive E 43 90 ml P2 P3 |
| 913 | 7014005 | | | Kupferpaste | copper paste |
| 914 | 7014003 | | | Loctite 8001 - Schmiermittel P3 | Loctite 8001 - lubricant P3 |
| 915 | 3019007 | | | KD-Set Wasseranalysegerät | Customer service set, water analysis device |
| 916 | 5019200 | | | USB Konverter auf seriell RS232 P3 | USB converter to serial RS232 P3 |

Technische Neuentwicklungen, Änderungen und Irrtümer vorbehalten.

New technical developments, changes and errors excepted.

| Pos | Art.-Nr | --> | --> | français | español |
|-----|---------|-----------|-----|--|--|
| 101 | 2002042 | | | Porte douchette | Soporte de ducha de mano |
| 102 | 2004035 | | | Support pour câble sonde à cœur P2P3 | Soporte para cable de sonda para temperatura central P2 P3 |
| 103 | 2004234 | | | Cale d'alimentation P3 | Guía de cuña para carro de equipamiento P3 |
| 105 | 2010015 | | | Brûleur Ø63x210 40kW P3 | Quemador Ø63x210 40kW P3 |
| 109 | 2010058 | | | Cheminée HL 10.20 GAZ soudé P3 | Chimenea HL 10.20 GAS soldado P3 |
| 112 | 2010063 | | | Cheminée HL 20.20GAZ soudé P3 | Chimenea HL 20.20GAS soldado P3 |
| 115 | 2010067 | | | Raccordement double au gaz R3/4" P3 | Conexión de gas doble R3/4" P3 |
| 116 | 2010068 | | | Raccordement double au gaz R3/4"-14 NPT P3 | Conexión de gas doble R3/4"-14 NPT P3 |
| 117 | 2010069 | | | Raccordement triple au gaz R3/4"-14 NPT P3 | Conexión de gas triple R3/4"-14 NPT P3 |
| 118 | 2010070 | | | Raccordement triple au gaz R3/4" P3 | Conexión de gas triple R3/4" P3 |
| 120 | 2010076 | | | Cheminée DE Gaz 20.10/20.20 soudé P3 | Chimenea DE Gas 20.10/20.20 soldado P3 |
| 124 | 2012102 | | | Accroche pour condensateur P3 | Soporte para condensador P3 |
| 125 | 2012103 | | | Tuyère pour condensateur P3 | Tobera para condensador P3 |
| 126 | 2012110 | | | Condensateur modèle sur pied avec trop-plein à gauche cpl.P3 | Condensador aparato estacionario desbord. izq. cpl. P3 |
| 127 | 2013002 | | | Tuyère de cône 45° 1/8" P3 | Tobera de cono 45° 1/8" P3 |
| 128 | 2014003 | | | Plaque butée supérieure pour porte P3 | Plancha reticulación arriba para puerta P3 |
| 129 | 2014005 | | | Ressort silicone pour porte P3 | Muelle silicon para puerta P3 |
| 130 | 2014007 | | | Cintre de charnière bas cpl. porte P3 | Plancha de bisagra de puerta abajo P3 |
| 131 | 2619152 | | | Kit SAV bloc de grille pour plaque glissière P3 | Juego serv. técnico bloque de retícula para placa deslizante P3 |
| 133 | 2614750 | | | Barre guide pour porte escamotable modèle sur pied P2 | Estribo de guía para aparato estacionario VST P2 |
| 138 | 2016006 | | | Bypass P3 cpl. 20.20 | Bypass P3 cpl. 20.20 |
| 139 | 2016007 | | | Tube de mesure P3 | Tube de medición P3 |
| 143 | 2016021 | 12/06 | | Conduit 2 eau X.20 soudé P3 | Tubería 2 agua X.20 soldado P3 |
| 143 | 2016021 | 12/06 | | Conduit 2 eau X.20 soudé P3 | Tubería 2 agua X.20 soldado P3 |
| 144 | 2016022 | 12/06 | | Conduit 1 eau X.20 soudé P3 | Tubería 1 agua X.20 soldado P3 |
| 144 | 2016022 | 12/06 | | Conduit 1 eau X.20 soudé P3 | Tubería 1 agua X.20 soldado P3 |
| 145 | 2016072 | | | Conduit IN X.20 soudé P3 | Tubería IN X.20 soldado P3 |
| 149 | 2016113 | | | Conduit douchette 20.10/20.20 P3 | Tubería ducha de mano 20.10/20.20 P3 |
| 151 | 2016119 | | | Tuyau de décharge DE gaz OGB P3 | Tube de descarga DE Gas OGB P3 |
| 152 | 2016121 | 12/06 | | Conduit de nettoyage 20.20 soudé P3 | Tubería limpiador 20.20 soldado P3 |
| 152 | 2016121 | 12/06 | | Conduit de nettoyage 20.20 soudé P3 | Tubería limpiador 20.20 soldado P3 |
| 160 | 2019001 | | | Scurit de transport chariot 20.10/20.20 P3 | Seguro de transporte carro de equipamiento 20.10/20.20 P3 |
| 162 | 2019012 | | | Poigne coulissante pour chariot système banquet 12.20/20.20 P | Asa de empuje p. Carro de banquete 12.20/20.20 P3 |
| 163 | 2114799 | | | Soutien KM soudé P3 | Soporte KM soldado P3 |
| 168 | 2114819 | | | Tôle de coffrage porte escamotable 20.10/20.20 P3 | Chapa de revestimiento VST 20.10/20.20 P3 |
| 169 | 2115476 | | | Rail de guidage re 12.20/20.20 soudé P3 | Carril de entrada dcha. 12.20/20.20 sold. P3 |
| 170 | 2115477 | | | Rail de guidage li 12.20/20.20 soudé P3 | Carril de entrada izda. 12.20/20.20 sold. P3 |
| 173 | 2117280 | | | Kit SAV tampon de butée porte escamotable P3 | Juego serv. técnico tampón VST P3 |
| 174 | 2117291 | | | Kit SAV galet de guidage porte escamotable P3 | Juego serv. técnico rodillo guía VST P3 |
| 175 | 2117299 | | | Kit SAV fermeture couvercle P3 | Juego serv. técnico cierre cubierta P3 |
| 176 | 2117300 | | | Kit SAV plaque frontale OEB/OGB P3 | Juego serv. técnico panel frontal OEB/OGB P3 |
| 177 | 2117301 | | | Kit SAV plaque frontale OES/OGS P3 | Juego serv. técnico panel frontal OES/OGS P3 |
| 178 | 2117302 | | | Kit SAV plaque frontale OES/OGS Press & Go P3 | Juego serv. técnico panel frontal OES/OGS Press & Go P3 |
| 188 | 2214147 | GB7CC0420 | | Grille de protection du ventilateur 20.20 cpl P3 | Chapa de aspiración DE 20.20 cpl P3 |
| 195 | 2214157 | GS7BL0641 | | Grille de protection du ventilateur IN 20.20 cpl P3 | Chapa de aspiración IN 20.20 cpl P3 |
| 214 | 2216796 | | | Bride déshumidification cpl P3 | Cubierta deshumectación cpl P3 |
| 228 | 2217279 | | | Kit SAV tête de protection sonde cuisson 10/12/20.20 IN | Juego serv. técnico chapa protectora sonda horno 10/12/20.20 |
| 229 | 2217281 | | | Kit SAV cache de bypass P3 | Juego serv. técnico cubierta bypass P3 |
| 230 | 2217288 | | | Kit SAV régulateur de pression IN P3 | Juego serv. técnico válvula reguladora de presión IN P |
| 233 | 6002100 | | | set de fermeture rapide pur grille de protection | Cierre rápido para chapa de aspiración |
| 245 | 2217335 | | | Kit SAV tuyère d'aspiration 1,0mm P3 | Juego serv. técnico boquilla de inyección 1,0 mm P3 |
| 247 | 2314244 | | | Générateur de vapeur EL/GAZ suspension 20.10, 20.20 P3 | Generador de vapor EL/GAS suspension 20.10, 20.20 P3 |
| 248 | 2314968 | | | Bride d'inspection GV P3 | Brida de inspección GV P3 |
| 249 | 2314974 | | | Bride d'inspection GV avec filet P3 | Brida de inspección GV con rosca P3 |
| 257 | 2317313 | | | Kit SAV GV GAZ 10.20/20.10/20.20 P3 | Juego serv. técnico gV GAS 10.20/20.10/20.20 P3 |
| 265 | 2514356 | | | Porte 20.20 cpl P3 | Puerta 20.20 cpl P3 |
| 267 | 2514385 | | | Profil en U pour joint de porte 12.20/20.20 P3 | Perfil en U para junta de puerta 12.20/20.20 P3 |
| 274 | 2514394 | | | Porte intérieure 20.20 cpl. P3 | Puerta interior 20.20 cpl. P3 |
| 276 | 2517292 | | | Kit SAV charnière de porte intérieure P3 | Juego serv. técnico bisagra de puerta interior P3 |
| 277 | 2517296 | | | Kit SAV charnière sup. P3 | Juego serv. técnico bisagra sup. P3 |
| 278 | 2517297 | | | Kit SAV charnière inf. P3 | Juego serv. técnico bisagra inf. P3 |
| 279 | 2608962 | | | Reniflard cpl | Válvula de depresión cpl |
| 280 | 2609347 | | | Tuyau flexible d'aspiration pour nettoyeur | Manguera de aspiración para compartimento limpiador |
| 281 | 2609349 | | | Tuyau flexible d'aspiration pour agent de rinçage | Manguera de aspiración para compartimento abrillantador |
| 282 | 2611010 | | | Tête automatique d'extinction soud. | Cabeza automática de extinción sold. |
| 283 | 2611184 | | | Tuyère rotorique cpl. | Boquilla del rotor cpl |
| 287 | 2614843 | | | Connection coincé brûleur HL/DE Ø 63 P3 | Conexión a presión quemador HL/DE Ø 63 P3 |
| 289 | 2615311 | | | Kit SAV conversion gaz naturel LL/G25 P3 | Juego serv. técnico conversión gas natural LL/G25 P3 |
| 290 | 2615312 | | | Kit SAV conversion à gaz naturel E/G20 P3 | Juego serv. técnico conversión a gas natural E/G20 P3 |
| 291 | 2615313 | | | Kit SAV conversion Butane-Propane /G30-G31 P3 | Juego serv. técnico conversión butano-propano /G30-G31 P3 |
| 292 | 2615366 | | | Bride de compensation pour brûleur Ø63 | Brida de compensación para quemador Ø63 |
| 299 | 2617284 | | | Kit SAV moteur triphasé 4/8pØl 0,9kW 200-240V 60Hz/200V 50Hz | Juego serv. técnico motor trifásico 4/8 polos 0,9kW 20 |
| 300 | 2617285 | | | Kit SAV moteur triphasé 4/8pØl 0,9kW 380-415V 50Hz P3 | Juego serv. técnico motor trifásico 4/8 polos 0,9kW 38 |
| 302 | 2617287 | | | Kit SAV moteur triphasé 4pØl 0,9kW toutes tensions P3 | Juego serv. técnico motor trifásico 4 polos 0,9kW toda |
| 303 | 2617293 | | | Kit SAV fixation d'hélice de ventilateur P3 | Juego serv. técnico fijación del rodete de ventilador |
| 304 | 2617294 | | | Kit SAV fixation moteur P3 | Juego serv. técnico fijación del motor P3 |
| 305 | 2617295 | | | Kit SAV joint arbres moteur P3 | Juego serv. técnico junta árbol motor P3 |
| 309 | 2617318 | | | Kit SAV échangeur de chaleur GAZ 10.20/12.20/20.20 P3 | Juego serv. técnico intercambiador de calor GAS 10.20/ |
| 310 | 2617319 | | | Kit SAV échangeur de chaleur GAZ 20.20 inf. P3 | Juego serv. técnico intercambiador de calor GAS 20.20 |
| 311 | 2617320 | | | Kit SAV électrode de surveillance GAZ P3 | Juego serv. técnico electrodo de vigilancia GAS P3 |
| 313 | 2617322 | | | Kit SAV électrode d'allumage longue GAZ P3 | Juego serv. técnico electrodo de encendido incandescen |
| 314 | 2617323 | | | Kit SAV verre-regard brûleur GAZ P3 | Juego serv. técnico mirilla quemador GAS P3 |
| 315 | 2216090 | | | Couvercle boîtier air d'alimentation | Cubierta caja de entrada de aire mont P3 |
| 316 | 2615314 | | | Kit SAV conversion gaz naturel 13A Japan P3 | Juego serv. técnico conversión a gas natural 13A Japan P3 |
| 317 | 2615315 | | | Kit SAV conversion LPGP Japan P3 | Juego serv. técnico conversión LPGP Japan P3 |
| 318 | 3007061 | | | Filtre pour Convocare | Filtro para Convocare |
| 319 | 3310394 | | | Poigne pour chariot polie lectriquement P2 P3 | Asa para carro de equipamiento, electropulido P2 P3 |
| 328 | 3315259 | | | Clapet collecteur chariot glissière polie lectriquement 12. | Cubeta colector carro de transporte, electropulida 12.20/20 |
| 335 | 3416730 | | | Kit d'installation d'eau P3 | Juego de instalación de agua P3 |
| 336 | 3417275 | | | Kit pour régler joint de porte P3 | Kit para ajustar junta de puerta P3 |
| 337 | 4007087 | | | Attache cables 140x3.6 | Cinta de sujeción para cables 140 x 3.6 resistente a la ca |
| 338 | 5001041 | | | Thermostat securité resistant à l'écrasement 340°C | Termostato seguridad resistente a la fractura 340°C |
| 339 | 5001059 | | | Electrovanne simple 220-240V | Válvula magnética |
| 340 | 5001080 | | | Electrovanne double 200-240V 50Hz | Válvula magnética doble 200-240V 50Hz |
| 341 | 5002061 | | | Kit SAV jeu de joints sonde à cœur | Juego serv. técnico de juego de juntas para sonda t. central |
| 342 | 2219137 | | | Kit SAV sonde à cœur sous-vide P3 | Juego serv. técnico sonda de temperatura central "sous-vide" P3 |
| 343 | 5002090 | | | Connecteur X1 OSC, OSG, OSP P2 P3 | Conector X1 OSC, OSG, OSP P2 P3 |
| 344 | 5002094 | | | Connecteur X2 OSC, OSG, OSP P2 P3 | Conector X2 OSC, OSG, OSP P2 P3 |
| 345 | 5002095 | | | Connecteur X3 OSC, OSG, OSP ST 5000 RM 3.5 9pol. | Conector X3 OSC, OSG, OSP ST 5000 RM 3.5 9pol. P2 |
| 346 | 5002096 | | | Connecteur Picto "Press and Go" P2 P3 | Conector Picto "Press and Go" P2 P3 |
| 347 | 5002100 | | | Thermocouple sonde 3050 mm P2 P3 | Termoelemento sonda 3050 mm P2 P3 |
| 349 | 5003075 | | | Interrupteur magnétique de porte | Interruptor magnético de puerta |
| 352 | 5008011 | | | Pompe pour nettoyage de l'enceinte de cuisson P2 P3 | Bomba para limpieza de la zona de cocción P2 P3 |
| 353 | 5008079 | | | Pompe d'évacuation avec moteur synchrone 200-240V | Bomba evacuación con motor síncrono 200-240V |
| 354 | 5013051 | | | Interrupteur manométrique pour nettoyage enceinte de cuisson P2 P3 | Interruptor pulsante para limpieza autom. del interior del horno P2 P3 |
| 355 | 5009301 | | | Commande électronique 5000 VM (Module d'alimentation) P2 P3 | Mando 5000 VM (Módulo de alimentación) P2 P3 |
| 356 | 5009304 | | | Cable d'alimentation SM-BM commande 5000 P2 P3 | Cable de conexión SM a BM mando 5000 P2 P3 |

| Pos | Art.-Nr | --> | --> | français | español |
|-----|---------|------------|------------|--|--|
| 770 | 2117437 | GS7BE0381 | | Couvercle AR enfoncé EL/GAZ IN 20.20 cpl. P3 | Cubierta tras insertada EL/GAS IN 20.20 cpl P3 |
| 777 | 2117457 | GB7BD0210 | | Couvercle AR enfoncé GAZ DE 20.20 cpl. P3 | Cubierta tras insertada GAS DE 20.20 cpl P3 |
| 799 | 2218117 | GB7CC0421 | | Grille de protection du ventilateur RV DE 20.20 cpl. P3 | Chapa aspir. RV DE 20.20 cpl P3 |
| 800 | 2218120 | GS7BL0642 | | Grille de protection du ventilateur RV IN 20.20 cpl. P3 | Chapa aspir. RV IN 20.20 cpl P3 |
| 801 | 8009022 | | | Ecrou de tôle 14x11 filetage 4,8 | Tuerca de chapa 14x11 rosca 4,8 |
| 802 | 8012003 | | | Vis autotaraudeuse à tête bombée 4,8x32 DIN7981 A2 P3 | Tornillo de chapa avellanado 4,8x32 DIN7981 A2 P3 |
| 803 | 2114627 | | app. 01/07 | Trappe au sol condensateur P3 | Cubierta del fondo del condensador P3 |
| 805 | 2119228 | app. 01/07 | | Trappe au sol condensateur avec trop-plein gauche P3 | Cubierta del fondo condensador con reboso izq P3 |
| 809 | 2618815 | | | Kit SAV Brûleur HL 10.20/12.20/20.20 complet P3 | Juego serv. Técnico Quemador HL 10.20/12.20/20.200 compl. P3 |
| 811 | 2618817 | | | Kit SAV Brûleur DE 10.20/12.20/20.20 complet P3 | Juego serv. Técnico Quemador DE 10.20/12.20/20.20 compl. P3 |
| 902 | 3007029 | | | Convocare bidon vide 10 L | Convocare bidón vacío 10 L |
| 903 | 6009016 | | | Logo "C" rouge 90x62x2mm | Letra "C" de plástico roja 90x62x2mm |
| 904 | 6019104 | | | Autocollant: Qualité de l'eau et raccord, P3 | Etiqueta: Calidad de agua y conexión, P3 |
| 905 | 6019106 | | | Autocollant: Données de gaz, P3 | Etiqueta: Datos de gas, P3 |
| 906 | 6019107 | | | Autocollant: Nettoyage manuel, P3 | Etiqueta: Limpieza manual, P3 |
| 907 | 7002024 | | | Tuyau d'évacuation des graisses 1" pour version petit robine | Manquera de salida de grasa 1" para la versión para pollos |
| 908 | 7003066 | | | joint pour carte électronique 9x3 | Cinta de obturación 9x3 |
| 909 | 7003087 | | | Cartouche à graisse 400 g portes frontales OD P2 P3 | Cartucho de grasa 400g. Puerta V OD P2 P3 |
| 910 | 7004012 | | | Loctite Typ 243 | Loctite 243 10ml P2/P3 |
| 911 | 7004013 | | | Vernis de sécurité pour vis | Laca de bloqueo P2 P3 |
| 912 | 7004020 | | | Tube de colle Silicone E 43 | Cola de silicona E 43 |
| 913 | 7014005 | | | pâte de cuivre | Pasta de cobre |
| 914 | 7014003 | | | Loctite 8001 - graisse P3 | Loctite 8001 - Lubricante P3 |
| 915 | 3019007 | | | Kit SAV pour appareil d'analyse de l'eau | Juego serv. técnico para aparato de análisis de agua |
| 916 | 5019200 | | | Convertisseur USB à RS232 P3 | Convertidor USB para RS232 P3 |

Sous réserve de modifications techniques, de nouveaux développements et d'erreurs.

Nos reservamos el derecho de nuevos desarrollos técnicos, modificaciones y errores.